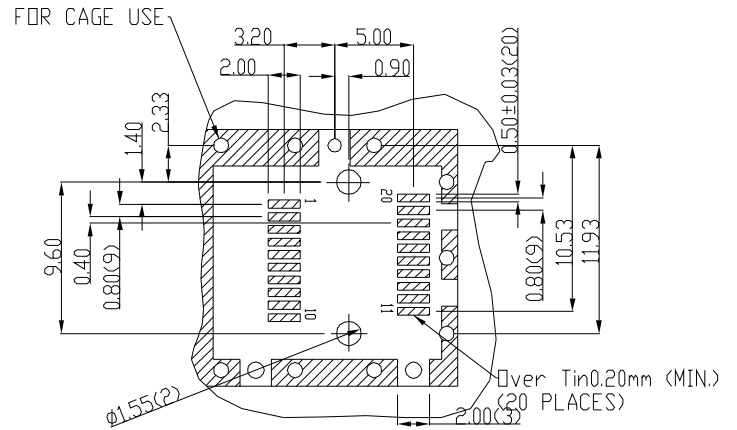
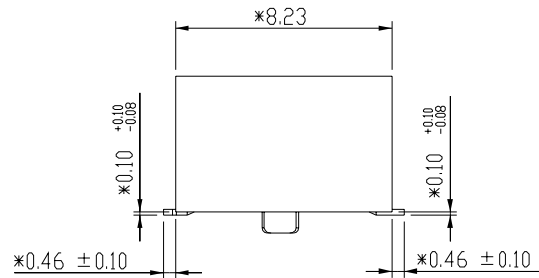
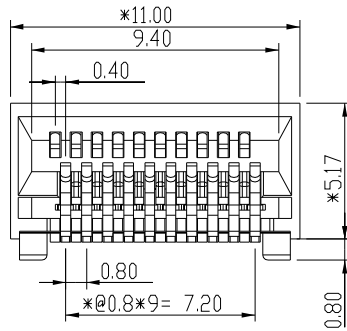


*COPLANARITY 0.12mm MAX.(20)



PCB LAYOUT (CONNECTOR) / TOP VIEW



NOTE:

MECHANICAL:

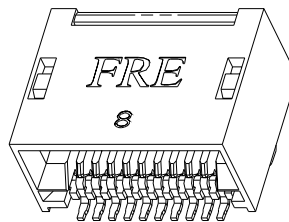
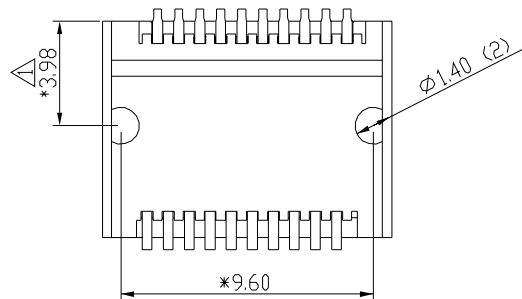
CONNECTOR MATERIAL:

1. HOUSING: HIGH TEMPERATURE THERMOPLASTIC
GLASS FIELD. UL94V-0.
STANDARD COLOR : BLACK.
2. CONTACT: PHOS-BRONZE THICKNESS=0.20mm.
SELECTIVE GOLD PLATING
3. DURABILITY: 250 CYCLES MIN.

ELECTRICAL:

1. VOLTAGE RATING : 30 VAC RMS MAX.
2. CURRENT RATING : 0.5 AMP MAX.
3. DIFFERENTIAL IMPEDANCE : 100 Ohms.
4. CAPACITANCE: 1.2pF MAX.
5. CONTACT RESISTANCE: 20 MILLIOHMS MAX.
6. INSULATION RESISTANCE: 500 MEGOHMS MIN.
7. TEMPERATURE:
WAVE SOLDER TEMPERATURE SUGGEST 250°C~270°C.
OPERATING TEMPERATURE: -40°C to +85°C
STORAGE TEMPERATURE: -40°C to +85°C
8. ROHS COMPLIANT.

PART NUMBER	GOLD PLATING
E81M0-VCYF83-L	15u"
E81M0-VCYF84-L	30u"
E81M0-VCYF85-L	50u"



SCALE 4:1

TOLERANCES EXCEPT AS NOTED MM .0 ± 0.2 ± .00 ± 0.15 ± .000 ± 0.075 ± ANGLES ± 0.5			
TITLE <h2 style="text-align: center;">SFP CONNECTOR</h2>			
DETACHED LISTS 		DF TO Cathy DATE 08/10/2006 SCALE : 5:1	
DRAWING NO. CE813A34-LA /PART NO. SEE TABLE		SIZE REV A3 O	
DO NOT SCALE DRAWING		SHEET 1 OF 1	